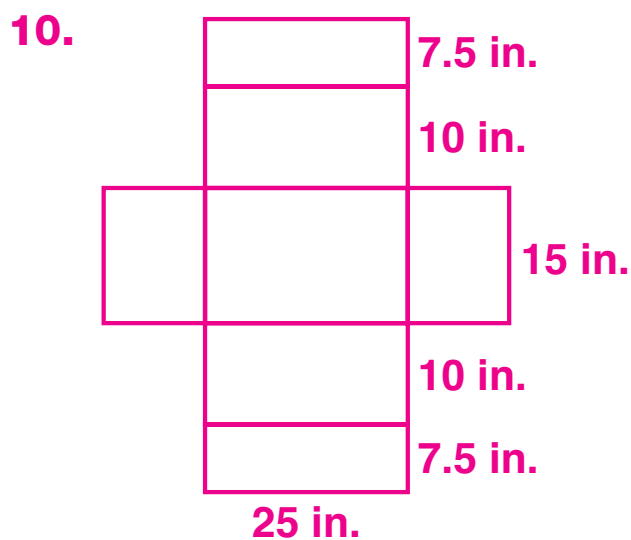


## Answers for Lesson 8-3, pp. 365–366 Exercises

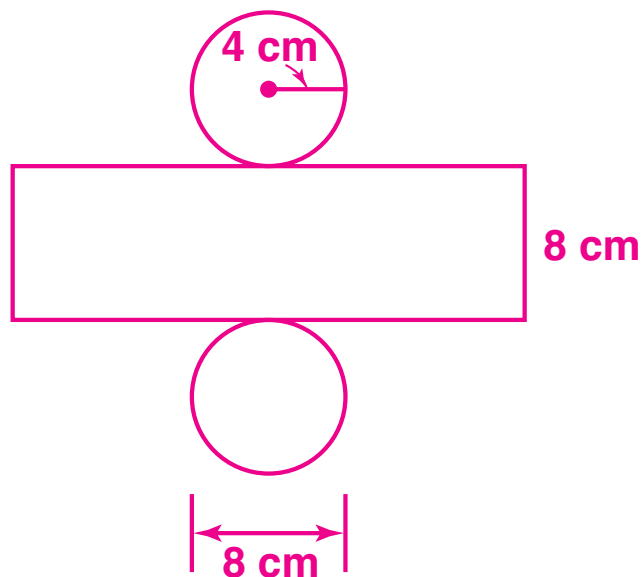
1. A net is a two-dimensional pattern; a prism is a three-dimensional solid.
2. 2 trapezoids, 4 rectangles
3. circles
4. B
5. C
6. A
7. cone
8. square pyramid
9. trapezoidal prism



11. A triangular prism will have two triangular faces and three rectangular faces, whereas a pyramid will have four triangular faces.

12. 5 boxes

- 13.



**Answers for Lesson 8-3, pp. 365–366 Exercises (cont.)**

---

**14.** Yes; the box can be represented by a net 32 in. by 30 in., so the 36 in.-by-36 in. wrapping paper will cover it.

**15.** C

**16.** H

**17.**  $60^\circ$

**18.**  $108^\circ$

**19.**  $135^\circ$

**20.**  $154.3^\circ$